

Throttle valve 500

Type SDM

NG 4
up to 25 l/min

Features

- High-precision control
- Adjustable while under pressure
- Bi-directional flow

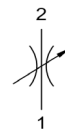


Design

- Cartridge alone or in manifolds
- External surface stainless
- The valve setting can be locked by a counter nut

Applications

The throttle valve SDM is a part of the 500+ series. It is a directly and manually operated cartridge valve. Adjustable throttle valves are used for the adjustment of flow rates. The moving speed of a cylinder or motor can be influenced by these valves.



Technical data

Hydraulic fluid	mineral oil according to DIN 51524 (other fluids on request)
Fluid temperature range	-20 to 80 °C
Ambient temperature range	-30 to 50 °C
Viscosity range	5 to 420 mm ² /s
Porting	NG 4
Max. operating pressure port 1	700 bar
Max. operating pressure port 2	700 bar
Pressure loss	at 12 l/min (fully open) and 32 mm ² /s: 35 bar at 25 l/min (fully open) and 32 mm ² /s: 155 bar
Max. flow rate	25 l/min
Filtration (recommendation)	class 17/15/12 ISO/DIN 4406
Weight	0,12 kg (cartridge)
Materials	Valve body: high tensile corrosion-free steel Supporting ring: PTSM

Key sheet

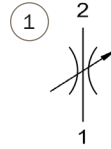
Example		SD	M	-	4E	-	G1/4AB43	-	V	-	A		00																																																																						
Throttle valve																																																																																			
Type	500+																																																																																		
Nominal Size	4																																																																																		
Cartridge	...E																																																																																		
Connection Bieri	...B																																																																																		
Connection In-line body	...R																																																																																		
<table border="1"> <tr> <td>Design</td> <td></td> </tr> <tr> <td>X</td> <td>Cartridge</td> </tr> <tr> <td colspan="2">In manifold for valve bank with 3/2, 3/3, 4/2 and 4/3 valves</td> </tr> <tr> <td>G1/4AB43</td> <td>G1/4, Throttle A and B, 4/3 seated valve</td> </tr> <tr> <td>G3/8AB43</td> <td>G3/8, Throttle A and B, 4/3 seated valve</td> </tr> <tr> <td>G1/4P43</td> <td>G1/4, Throttle P, 4/3 seated valve</td> </tr> <tr> <td>G3/8P43</td> <td>G3/8, Throttle P, 4/3 seated valve</td> </tr> <tr> <td>G1/4T43</td> <td>G1/4, Throttle T, 4/3 seated valve</td> </tr> <tr> <td>G3/8T43</td> <td>G3/8, Throttle T, 4/3 seated valve</td> </tr> <tr> <td>G1/4AB42</td> <td>G1/4, Throttle A and B, 4/2 seated valve</td> </tr> <tr> <td>G3/8AB42</td> <td>G3/8, Throttle A and B, 4/2 seated valve</td> </tr> <tr> <td>G1/4P42</td> <td>G1/4, Throttle P, 4/2 seated valve</td> </tr> <tr> <td>G3/8P42</td> <td>G3/8, Throttle P, 4/2 seated valve</td> </tr> <tr> <td>G1/4T42</td> <td>G1/4, Throttle T, 4/2 seated valve</td> </tr> <tr> <td>G3/8T42</td> <td>G3/8, Throttle T, 4/2 seated valve</td> </tr> <tr> <td>G1/4AB33</td> <td>G1/4, Throttle A and B, 3/3 seated valve</td> </tr> <tr> <td>G3/8AB33</td> <td>G3/8, Throttle A and B, 3/3 seated valve</td> </tr> <tr> <td>G1/4P33</td> <td>G1/4, Throttle P, 3/3 seated valve</td> </tr> <tr> <td>G3/8P33</td> <td>G3/8, Throttle P, 3/3 seated valve</td> </tr> <tr> <td>G1/4T33</td> <td>G1/4, Throttle T, 3/3 seated valve</td> </tr> <tr> <td>G3/8T33</td> <td>G3/8, Throttle T, 3/3 seated valve</td> </tr> <tr> <td>G1/4AB32</td> <td>G1/4, Throttle A and B, 3/2 seated valve</td> </tr> <tr> <td>G3/8AB32</td> <td>G3/8, Throttle A and B, 3/2 seated valve</td> </tr> <tr> <td>G1/4P32</td> <td>G1/4, Throttle P, 3/2 seated valve</td> </tr> <tr> <td>G3/8P32</td> <td>G3/8, Throttle P, 3/2 seated valve</td> </tr> <tr> <td>G1/4T32</td> <td>G1/4, Throttle T, 3/2 seated valve</td> </tr> <tr> <td>G3/8T32</td> <td>G3/8, Throttle T, 3/2 seated valve</td> </tr> <tr> <td colspan="2">In manifold for valve bank with 2/2 seated valve</td> </tr> <tr> <td>G1/4A22</td> <td>G1/4 throttle A, 2/2 seated valve</td> </tr> <tr> <td>G3/8A22</td> <td>G3/8 throttle A, 2/2 seated valve</td> </tr> <tr> <td>G1/4T22</td> <td>G1/4 throttle T, 2/2 seated valve</td> </tr> <tr> <td>G3/8T22</td> <td>G3/8 throttle T, 2/2 seated valve</td> </tr> <tr> <td colspan="2">In-line mounting</td> </tr> <tr> <td>G1/4</td> <td>G1/4 in-line mounting</td> </tr> <tr> <td>G3/8</td> <td>G3/8 in-line mounting</td> </tr> </table>														Design		X	Cartridge	In manifold for valve bank with 3/2, 3/3, 4/2 and 4/3 valves		G1/4AB43	G1/4, Throttle A and B, 4/3 seated valve	G3/8AB43	G3/8, Throttle A and B, 4/3 seated valve	G1/4P43	G1/4, Throttle P, 4/3 seated valve	G3/8P43	G3/8, Throttle P, 4/3 seated valve	G1/4T43	G1/4, Throttle T, 4/3 seated valve	G3/8T43	G3/8, Throttle T, 4/3 seated valve	G1/4AB42	G1/4, Throttle A and B, 4/2 seated valve	G3/8AB42	G3/8, Throttle A and B, 4/2 seated valve	G1/4P42	G1/4, Throttle P, 4/2 seated valve	G3/8P42	G3/8, Throttle P, 4/2 seated valve	G1/4T42	G1/4, Throttle T, 4/2 seated valve	G3/8T42	G3/8, Throttle T, 4/2 seated valve	G1/4AB33	G1/4, Throttle A and B, 3/3 seated valve	G3/8AB33	G3/8, Throttle A and B, 3/3 seated valve	G1/4P33	G1/4, Throttle P, 3/3 seated valve	G3/8P33	G3/8, Throttle P, 3/3 seated valve	G1/4T33	G1/4, Throttle T, 3/3 seated valve	G3/8T33	G3/8, Throttle T, 3/3 seated valve	G1/4AB32	G1/4, Throttle A and B, 3/2 seated valve	G3/8AB32	G3/8, Throttle A and B, 3/2 seated valve	G1/4P32	G1/4, Throttle P, 3/2 seated valve	G3/8P32	G3/8, Throttle P, 3/2 seated valve	G1/4T32	G1/4, Throttle T, 3/2 seated valve	G3/8T32	G3/8, Throttle T, 3/2 seated valve	In manifold for valve bank with 2/2 seated valve		G1/4A22	G1/4 throttle A, 2/2 seated valve	G3/8A22	G3/8 throttle A, 2/2 seated valve	G1/4T22	G1/4 throttle T, 2/2 seated valve	G3/8T22	G3/8 throttle T, 2/2 seated valve	In-line mounting		G1/4	G1/4 in-line mounting	G3/8	G3/8 in-line mounting
Design																																																																																			
X	Cartridge																																																																																		
In manifold for valve bank with 3/2, 3/3, 4/2 and 4/3 valves																																																																																			
G1/4AB43	G1/4, Throttle A and B, 4/3 seated valve																																																																																		
G3/8AB43	G3/8, Throttle A and B, 4/3 seated valve																																																																																		
G1/4P43	G1/4, Throttle P, 4/3 seated valve																																																																																		
G3/8P43	G3/8, Throttle P, 4/3 seated valve																																																																																		
G1/4T43	G1/4, Throttle T, 4/3 seated valve																																																																																		
G3/8T43	G3/8, Throttle T, 4/3 seated valve																																																																																		
G1/4AB42	G1/4, Throttle A and B, 4/2 seated valve																																																																																		
G3/8AB42	G3/8, Throttle A and B, 4/2 seated valve																																																																																		
G1/4P42	G1/4, Throttle P, 4/2 seated valve																																																																																		
G3/8P42	G3/8, Throttle P, 4/2 seated valve																																																																																		
G1/4T42	G1/4, Throttle T, 4/2 seated valve																																																																																		
G3/8T42	G3/8, Throttle T, 4/2 seated valve																																																																																		
G1/4AB33	G1/4, Throttle A and B, 3/3 seated valve																																																																																		
G3/8AB33	G3/8, Throttle A and B, 3/3 seated valve																																																																																		
G1/4P33	G1/4, Throttle P, 3/3 seated valve																																																																																		
G3/8P33	G3/8, Throttle P, 3/3 seated valve																																																																																		
G1/4T33	G1/4, Throttle T, 3/3 seated valve																																																																																		
G3/8T33	G3/8, Throttle T, 3/3 seated valve																																																																																		
G1/4AB32	G1/4, Throttle A and B, 3/2 seated valve																																																																																		
G3/8AB32	G3/8, Throttle A and B, 3/2 seated valve																																																																																		
G1/4P32	G1/4, Throttle P, 3/2 seated valve																																																																																		
G3/8P32	G3/8, Throttle P, 3/2 seated valve																																																																																		
G1/4T32	G1/4, Throttle T, 3/2 seated valve																																																																																		
G3/8T32	G3/8, Throttle T, 3/2 seated valve																																																																																		
In manifold for valve bank with 2/2 seated valve																																																																																			
G1/4A22	G1/4 throttle A, 2/2 seated valve																																																																																		
G3/8A22	G3/8 throttle A, 2/2 seated valve																																																																																		
G1/4T22	G1/4 throttle T, 2/2 seated valve																																																																																		
G3/8T22	G3/8 throttle T, 2/2 seated valve																																																																																		
In-line mounting																																																																																			
G1/4	G1/4 in-line mounting																																																																																		
G3/8	G3/8 in-line mounting																																																																																		
<table border="1"> <tr> <td>Special design</td> <td></td> </tr> <tr> <td></td> <td>01 ... 99 (00 for standard)</td> </tr> <tr> <td colspan="2">Part index</td> </tr> <tr> <td colspan="2">Please leave blank (small letters a-d; different letters do not effect interchangeability)</td> </tr> <tr> <td colspan="2">Desing revision</td> </tr> <tr> <td colspan="2">Capital letters A-Z; identical letters equal same connecting dimensions</td> </tr> </table>														Special design			01 ... 99 (00 for standard)	Part index		Please leave blank (small letters a-d; different letters do not effect interchangeability)		Desing revision		Capital letters A-Z; identical letters equal same connecting dimensions																																																											
Special design																																																																																			
	01 ... 99 (00 for standard)																																																																																		
Part index																																																																																			
Please leave blank (small letters a-d; different letters do not effect interchangeability)																																																																																			
Desing revision																																																																																			
Capital letters A-Z; identical letters equal same connecting dimensions																																																																																			
Seal material	V [FPM] other seal materials on request																																																																																		

Product information

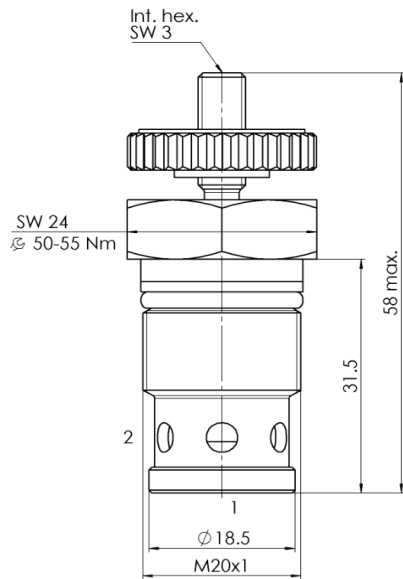
Cartridge

Type code	Part number	Symbol
SDM-4E-X-V-A*00	3830776	1

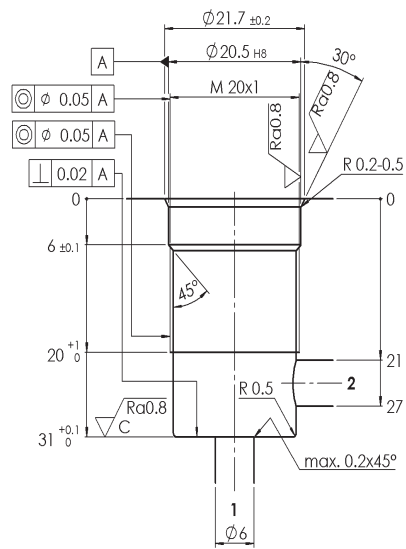
Symbol



Dimensional drawing



Cavity drawing

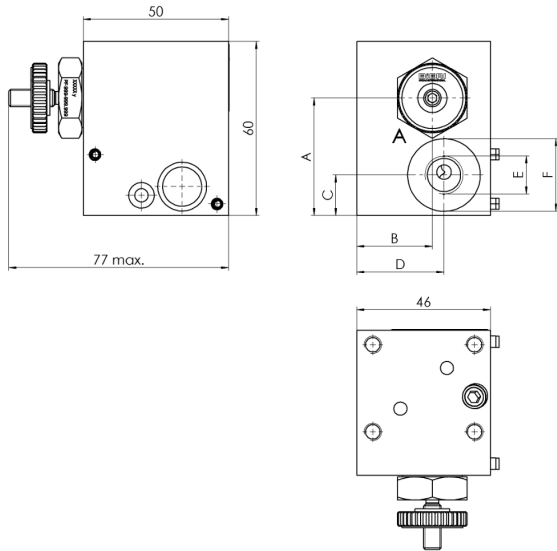


Type SDM

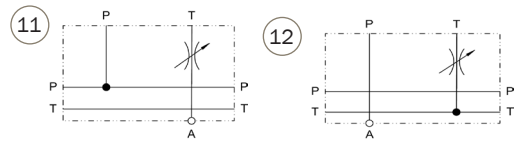
NG 4
up to 25/min

In manifold for valve bank with 2/2-way seated valve

Type	Part number	Symbol
SDM-4B-G1/4A22-V-A*00	3830833	11
SDM-4B-G3/8A22-V-A*00	3830834	11
SDM-4B-G1/4T22-V-A*00	3830835	12
SDM-4B-G3/8T22-V-A*00	3830836	12



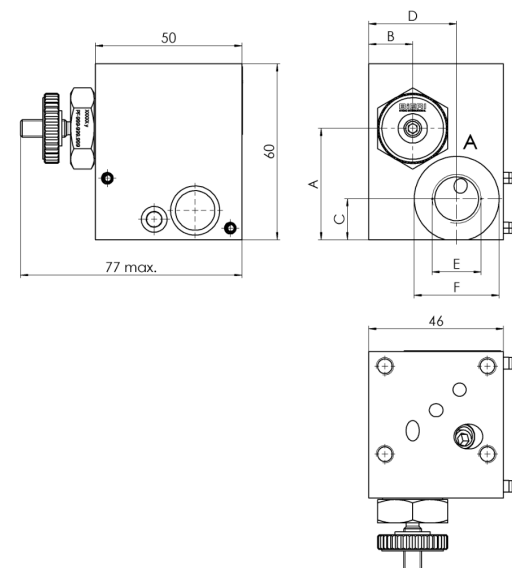
Symbols



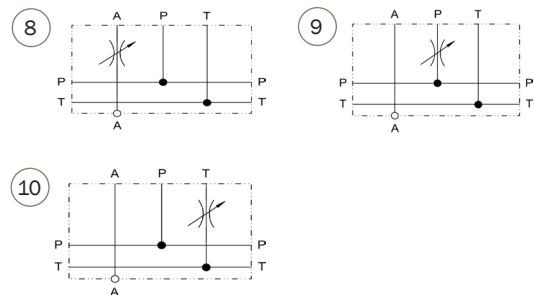
Type	Cartridge		Measurement connection			
	A	B	C	D	E	F
SDM-4B-G1/4A22-V-A*00	40.5	26	14	30	1/4"	Ø25
SDM-4B-G3/8A22-V-A*00	40.5	26	14	30	3/8"	Ø28
SDM-4B-G1/4T22-V-A*00	39.5	28.75	14	15	1/4"	Ø25
SDM-4B-G3/8T22-V-A*00	39.5	28.75	14	15	3/8"	Ø28

In manifold for valve bank with 3/2-way seated valve

Type	Part number	Symbol
SDM-4B-G1/4A32-V-A*00	3830827	8
SDM-4B-G3/8A32-V-A*00	4001437	8
SDM-4B-G1/4P32-V-A*00	3830829	9
SDM-4B-G3/8P32-V-A*00	3830830	9
SDM-4B-G1/4T32-V-A*00	3830831	10
SDM-4B-G3/8T32-V-A*00	3830832	10



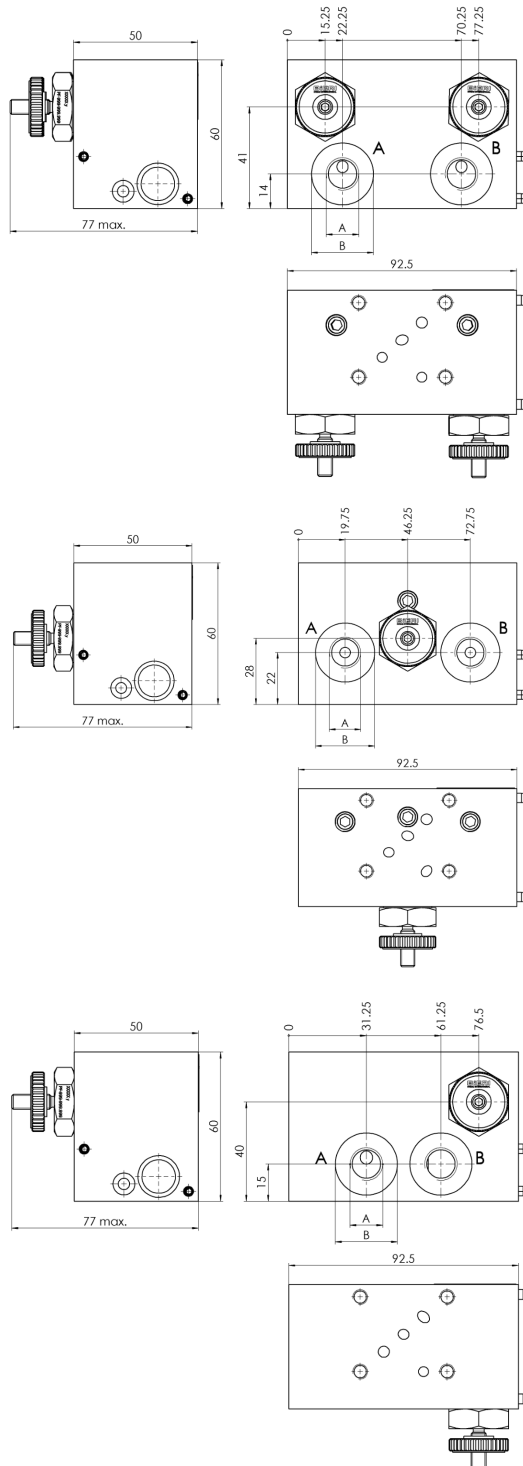
Symbols



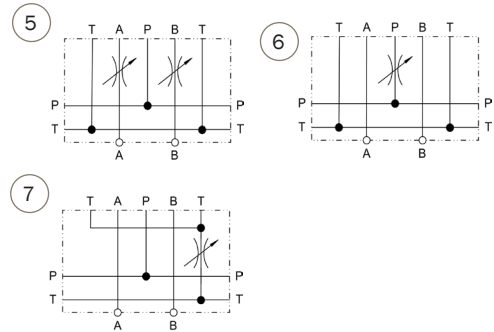
Type	Cartridge		Measurement connection			
	A	B	C	D	E	F
SDM-4B-G1/4A32-V-A*00	42	26	14	16	1/4"	Ø25
SDM-4B-G3/8A32-V-A*00	42	26	14	16	3/8"	Ø28
SDM-4B-G1/4P32-V-A*00	38	15	14	30	1/4"	Ø25
SDM-4B-G3/8P32-V-A*00	38	15	14	30	3/8"	Ø28
SDM-4B-G1/4T32-V-A*00	36	32.5	14	16	1/4"	Ø25
SDM-4B-G3/8T32-V-A*00	36	32.5	14	16	3/8"	Ø28

**Im manifold block for valve bank with
4/2-way seated valve**

Type	Part number	Symbol
SDM-4B-G1/4AB42-V-A*00	4001220	5
SDM-4B-G3/8AB42-V-A*00	3830816	5
SDM-4B-G1/4P42-V-A*00	3830817	6
SDM-4B-G3/8P42-V-A*00	3830818	6
SDM-4B-G1/4T42-V-A*00	3830819	7
SDM-4B-G3/8T42-V-A*00	3830820	7



Symbols



	A	B
SDM-4B-G1/4AB42-V-A*00	1/4"	Ø25
SDM-4B-G3/8AB42-V-A*00	3/8"	Ø28

	A	B
SDM-4B-G1/4P42-V-A*00	1/4"	Ø25
SDM-4B-G3/8P42-V-A*00	3/8"	Ø28

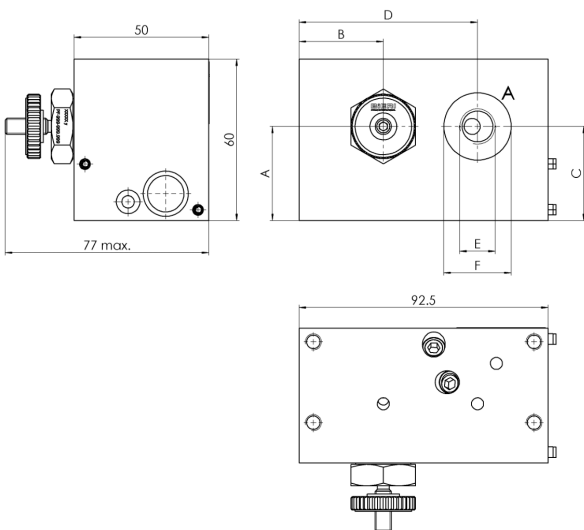
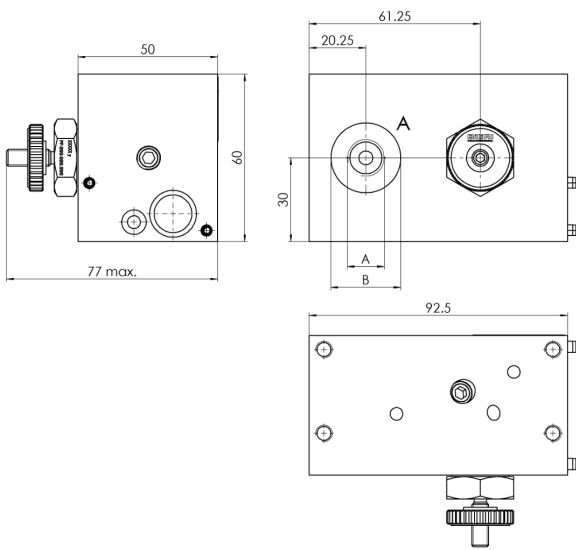
	A	B
SDM-4B-G1/4T42-V-A*00	1/4"	Ø25
SDM-4B-G3/8T42-V-A*00	3/8"	Ø28

Type SDM

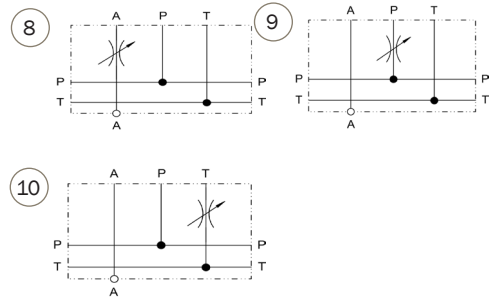
NG 4
up to 25/min

**In manifold for valve bank with
3/3-way seated valve**

Type	Part number	Symbol
SDM-4B-G1/4A33-V-A*00	3830821	8
SDM-4B-G3/8A33-V-A*00	3830822	8
SDM-4B-G1/4P33-V-A*00	3830823	9
SDM-4B-G3/8P33-V-A*00	3830824	9
SDM-4B-G1/4T33-V-A*00	3830830	10
SDM-4B-G3/8T33-V-A*00	3830826	10



Symbols



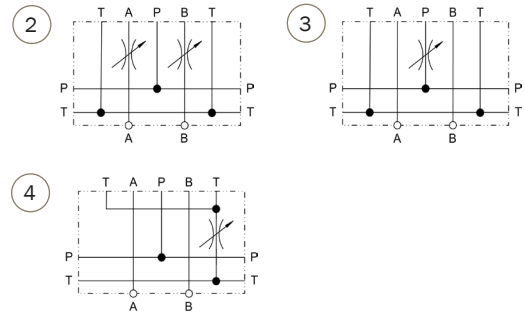
	A	B
SDM-4B-G1/4A33-V-A*00	G 1/4"	Ø25
SDM-4B-G3/8A33-V-A*00	G 3/8"	Ø28

Type	Cartridge		Measurement connection			
	A	B	C	D	E	F
SDM-4B-G1/4P33-V-A*00	35	31.25	35	66.25	1/4"	Ø25
SDM-4B-G3/8P33-V-A*00	35	31.25	35	66.25	3/8"	Ø28
SDM-4B-G1/4T33-V-A*00	30	31.25	35	66.25	1/4"	Ø25
SDM-4B-G3/8T33-V-A*00	30	31.25	35	66.25	3/8"	Ø28

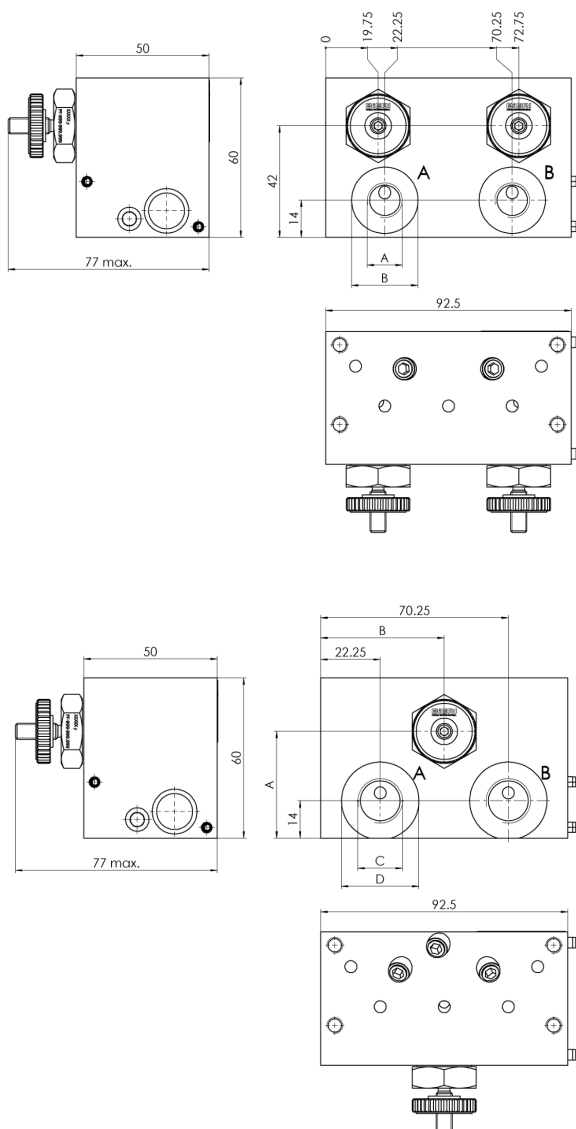
**In manifold for valve bank with
4/3-way seated valve**

Type	Part number	Symbol
SDM-4B-G1/4AB43-V-A*00	3830780	2
SDM-4B-G3/8AB43-V-A*00	3830781	2
SDM-4B-G1/4P43-V-A*00	3830782	3
SDM-4B-G3/8P43-V-A*00	3830783	3
SDM-4B-G1/4T43-V-A*00	3830784	4
SDM-4B-G3/8T43-V-A*00	3830815	4

Symbols



Dimensional drawing



	A	B
SDM-4B-G1/4AB43-V-A*00	G 1/4"	Ø25
SDM-4B-G3/8AB43-V-A*00	G 3/8"	Ø28

	A	B	E	F
SDM-4B-G1/4P43-V-A*00	40	46.25	1/4"	Ø25
SDM-4B-G3/8P43-V-A*00	40	46.25	3/8"	Ø28
SDM-4B-G1/4T43-V-A*00	37	53.25	1/4"	Ø25
SDM-4B-G3/8T43-V-A*00	37	53.25	3/8"	Ø28

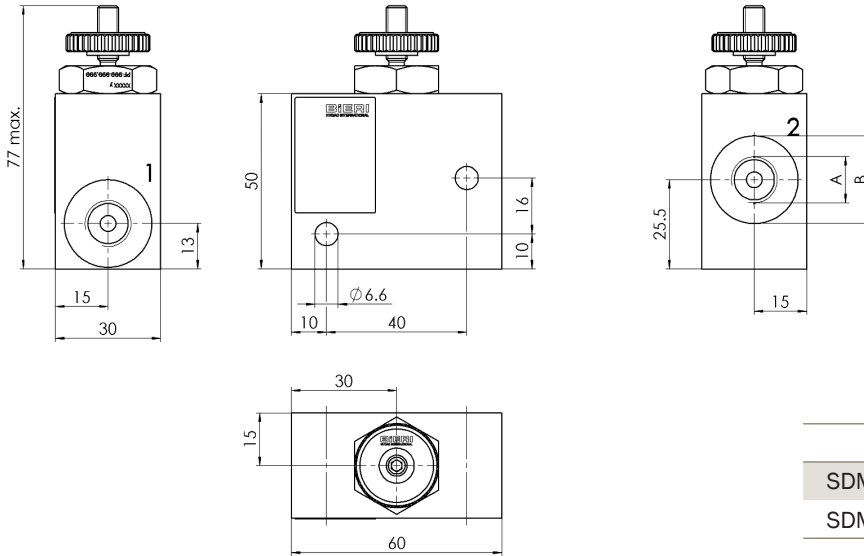
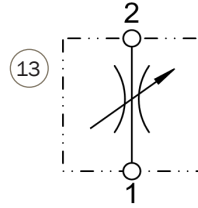
Type SDM

NG 4
up to 25/min

In-line body

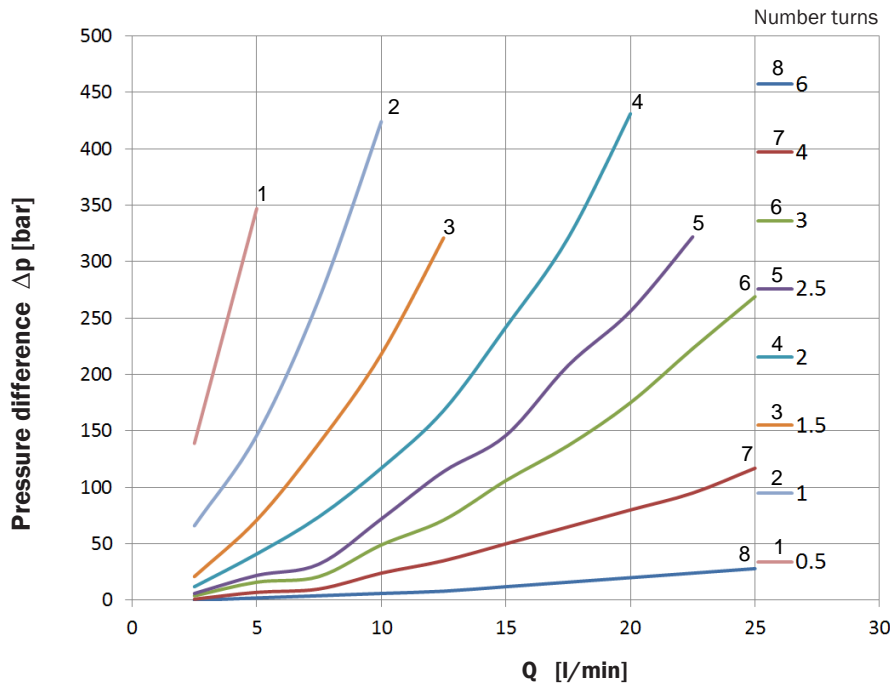
Type	Part number	Symbol
SDM-4R-G1/4-V-A*00	3830837	13
SDM-4R-G3/8-V-A*00	3830838	13

Symbol



	A	B
SDM-4R-G1/4-V-A*00	G 1/4"	Ø25
SDM-4R-G3/8-V-A*00	G 3/8"	Ø28

Characteristics $\Delta p(Q)$



Bieri Hydraulik AG
 Könizstrasse 274
 CH-3097 Liebefeld
 Tel. +41 31 970 09 09 | Fax +41 31 970 09 10
 info@bierihydraulics.com | www.bierihydraulics.com

The information in this brochure relates to the operating conditions and applications described.
 For applications and operating conditions not described, please contact the relevant technical department.
 Subject to technical modifications.